

IP65



CE

325 SVD is a sensor for sensing AC High Voltage. It provides electric engineering personnel, power engineering personnel, firefighting personnel and instrument equipment workers with prominent warning when approaching high voltage source.

### METHOD OF USE

- Inspection before use
  - (1) Check the appearance and structure for any abnormality.
  - (2) Press Self-Test switch (about 3 seconds) to confirm all functions are working normally.
  - (3) To be careful and to avoid misjudgment, test the unit by contacting AC 110V insulated wire with its front side to see if it sounds and flashes.
- Wearing
 

Wear the unit on the outer side of the wrist with the sensing side facing outward, as shown in the following figure.

※ The effect is best when the sensing side is facing high voltage at right angles (90 degrees).



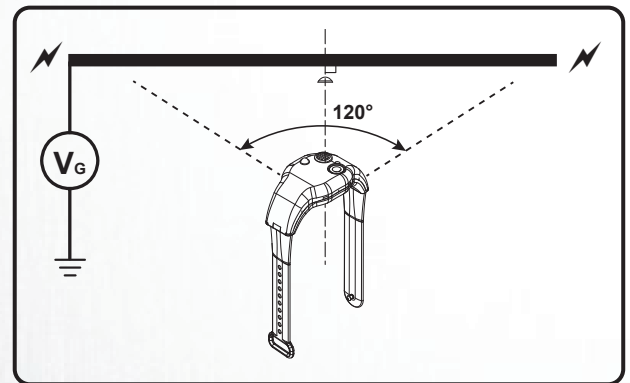
Voltage	Detection Angle	Detection Distance
11kV (11kV phase to ground)	120°	120 cm ± 20%
22kV (22kV phase to ground)	120°	140 cm ± 20%
33kV (33kV phase to ground)	120°	160 cm ± 20%

# SEW

# PERSONAL SAFETY VOLTAGE DETECTOR

- Compact, easy to wear and convenient in use
- Designed for indoor and outdoor use
- Water-proof design. (IP65)
- Equipped with self-testing functions
- Able to sense all kinds of AC High Voltage System
- Low power consumption
- CE Certified

※ **325 SVD has a wide angle for voltage detection (about 120°)**



### SPECIFICATIONS

- Distance of starting warning : 120 cm for 11kV (phase to ground)
- Applicable frequency : 50 / 60 Hz
- Volume : 70dB or higher at 1 meter distance
- Operating Temp & Humidity : 0°C ~ 40°C / 80% RH.
- Dimensions : (without the watchstrap) 79(L) × 33(H) × 42(D) mm
- Weight : 42g (battery included)
- Battery type : CR2032
- Battery life : 50 hours for continuous use.
- Accessories : Instruction Manual, Battery