

# COMBINATION SQUARE SETS



2278-2

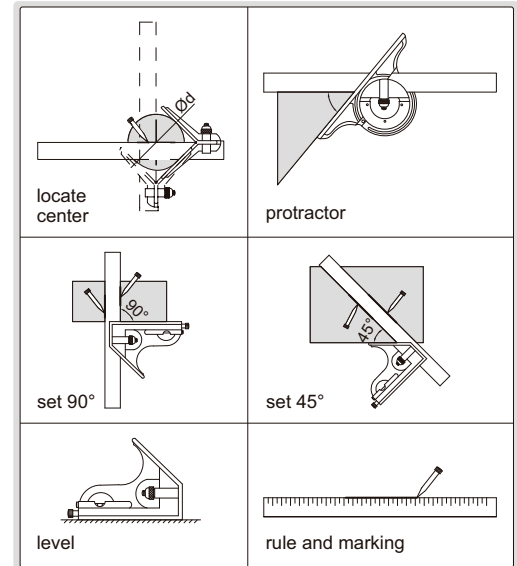
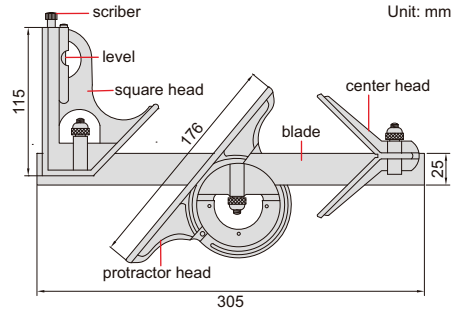


2278-3



2278-180

- Center head (made of cast iron):  
to locate center of cylinders with diameter ( $\varnothing$ d): 30-100mm  
accuracy:  $\pm 0.15\text{mm}$
- Protractor head (made of cast iron):  
set the blade at desired angle to an edge of a workpiece, and can be used to measure angles  
range: 0-180°  
accuracy:  $\pm 20\text{min}$ .
- Square head (made of cast iron):  
set the blade at 90° or 45° to an edge of a workpiece  
accuracy:  $\pm 8\text{min}$  for 90° square,  
 $\pm 10\text{min}$  for 45° square
- Blade (made of stainless steel):  
range: 300mm/12",  
graduation: 0.5mm and 1/32" on front face,  
1mm and 1/64" on back face
- Optional accessory: rigid rule (code 7113)



Code	Remark
2278-2	2-piece set
2278-3	3-piece set
2278-180	4-piece set